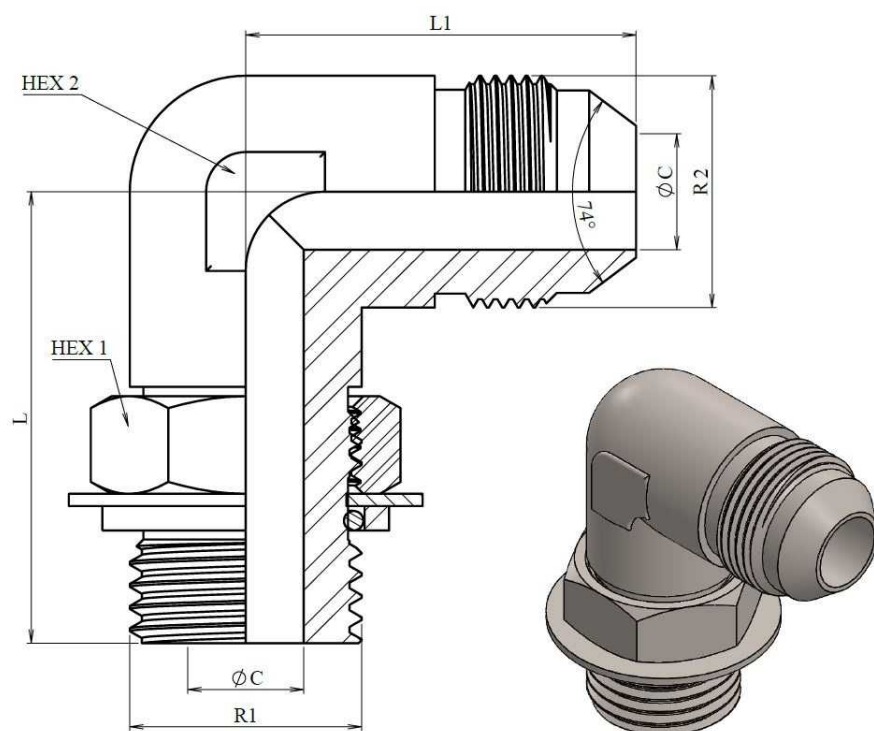


Adaptadores O'Ring Boss

Codos en forja

## Codo 90° regulable macho O'Ring Boss - macho JIC 37°

Acero Inoxidable AISI 316-L



| Artículo | ØD1      | ØD2   | R1            | R2            | L  | L1   | ØC   | HEX 1 | HEX 2 |
|----------|----------|-------|---------------|---------------|----|------|------|-------|-------|
| ZS57506  | 6        | 1/4"  | 7/16"-20h UNF | 7/16"-20h UNF | 26 | 22,5 | 4,4  | 14    | 12    |
| ZS57508  | 8        | 5/16" | 1/2"-20h UNF  | 1/2"-20h UNF  | 29 | 24   | 6    | 17    | 14    |
| ZS57510  | 10       | 3/8"  | 9/16"-18h UNF | 9/16"-18h UNF | 30 | 27   | 6    | 19    | 14    |
| ZS57512  | 12       | 1/2"  | 3/4"-16h UNF  | 3/4"-16h UNF  | 37 | 32   | 10   | 22    | 19    |
| ZS57516  | 14-15-16 | 5/8"  | 7/8"-14h UNF  | 7/8"-14h UNF  | 43 | 37   | 12   | 27    | 22    |
| ZS57520  | 18-20    | 3/4"  | 1"1/16-12h UN | 1"1/16-12h UN | 49 | 42   | 15,5 | 32    | 27    |
| ZS57525  | 25       | 1"    | 1"5/16-12h UN | 1"5/16-12h UN | 52 | 46   | 21,5 | 38    | 36    |